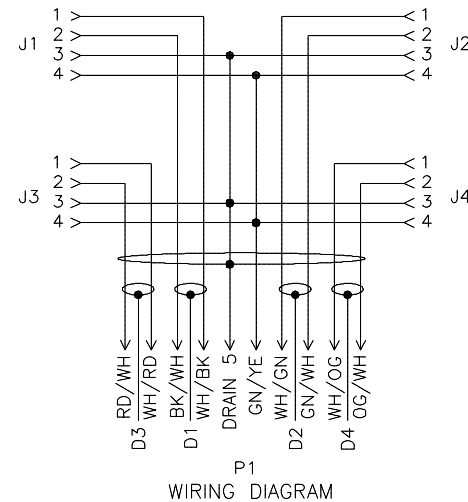
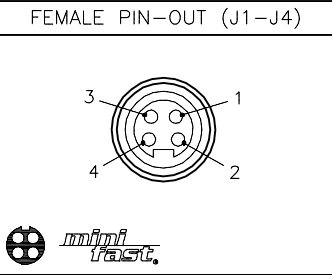


CABLE LENGTH	TOLERANCE*
ALL LENGTHS	+ 4% (OR 50mm) OF LENGTH - 0% (OR 0mm) OF LENGTH WHICHEVER IS GREATER
STRIP LENGTH	TOLERANCE*
0-7mm	±0.5mm
8-29mm	±1.0mm
30-49mm	±2.0mm
50-69mm	±3.0mm
70-100mm	±4.0mm
OVER 100mm	±5.0mm

\* UNLESS OTHERWISE SPECIFIED

SPECIFICATIONS	
HOUSING MATERIAL	DIE-CAST ALUMINUM ALLOY
HOUSING FINISH/COLOR	POWDER COAT/BLACK
RECEPTACLE HOUSINGS	316 STAINLESS STEEL/PASSIVATED
GLAND MATERIAL	NYLON
CONTACT CARRIERS/COLOR	NYLON/BLACK
CONTACTS	GOLD-PLATED BRASS
OPERATING VOLTAGE	250 VAC/300 VDC
OPERATING CURRENT	4.0 AMPS PER PORT, 8.0 AMPS TOTAL
OUTER JACKET MATERIAL/COLOR	PVC/BLUE
CONDUCTOR INSULATION MATERIAL	PVC
CONDUCTORS	8x22 AWG, 1x18 AWG GROUND
DRAIN/SHIELD	4X24, 1X22 AWG/ALUMINUM FOIL SHIELDED
PROTECTION CLASS to DIN 40050	IP 67 - ONLY WHEN ALL RECEPTACLES ARE COVERED WITH PLUGS OR CONNECTED
OPERATING TEMPERATURE	-30°C to 80°C (-22°F to 176°F)
CONDUCTOR ARRANGEMENT	4 STP W/DRAIN, 1 GND, 1 DRN
CABLE RATINGS	UL: ITC/PLTC/AWM, 105C, 300 V CSA: CMX-OUTDOOR-CMG/AWM, 105C, 300 V



SOURCE DRAWING - FOR REFERENCE ONLY

NOTES:

- "\*" INDICATES CABLE LENGTH IN METERS. CONTACT TURCK TO ORDER SPECIFIC LENGTHS.
- CLEARANCE HOLE FOR 1/4-20 MOUNTING SCREWS (2 NOT INCLUDED).

RELATED DOCUMENTS	3RD ANGLE PROJECTION	THIS DRAWING IS CONFIDENTIAL AND THE PROPERTY OF TURCK INC. USE OF THIS DOCUMENT WITHOUT WRITTEN PERMISSION IS PROHIBITED.		3000 CAMPUS DRIVE MINNEAPOLIS, MN 55441 1-800-544-7769 (763) 553-7300 (763) 553-0708 fax turck.com	
1. 2. 3. 4.		DRFT	TH	DATE	06/03/05
MATERIAL	ALL DIMENSIONS DISPLAYED ON THIS DRAWING ARE FOR REFERENCE ONLY	APVD	TH	SCALE	1=2.0
SEE SPECIFICATIONS		UNIT OF MEASUREMENT		DESCRIPTION	
FINISH	CONTACT TURCK FOR MORE INFORMATION	MILLIMETER [ INCH ]		P-4 RKFV 40-978-*	
SEE SPECIFICATIONS		DO NOT SCALE THIS DRAWING		IDENTIFICATION NO.	REV
C	UPDATED DRAIN SPECS PER ECO	TV	03/02/16	53780	C
REV	DESCRIPTION	BY	DATE	ECO NO.	FILE: 777011397